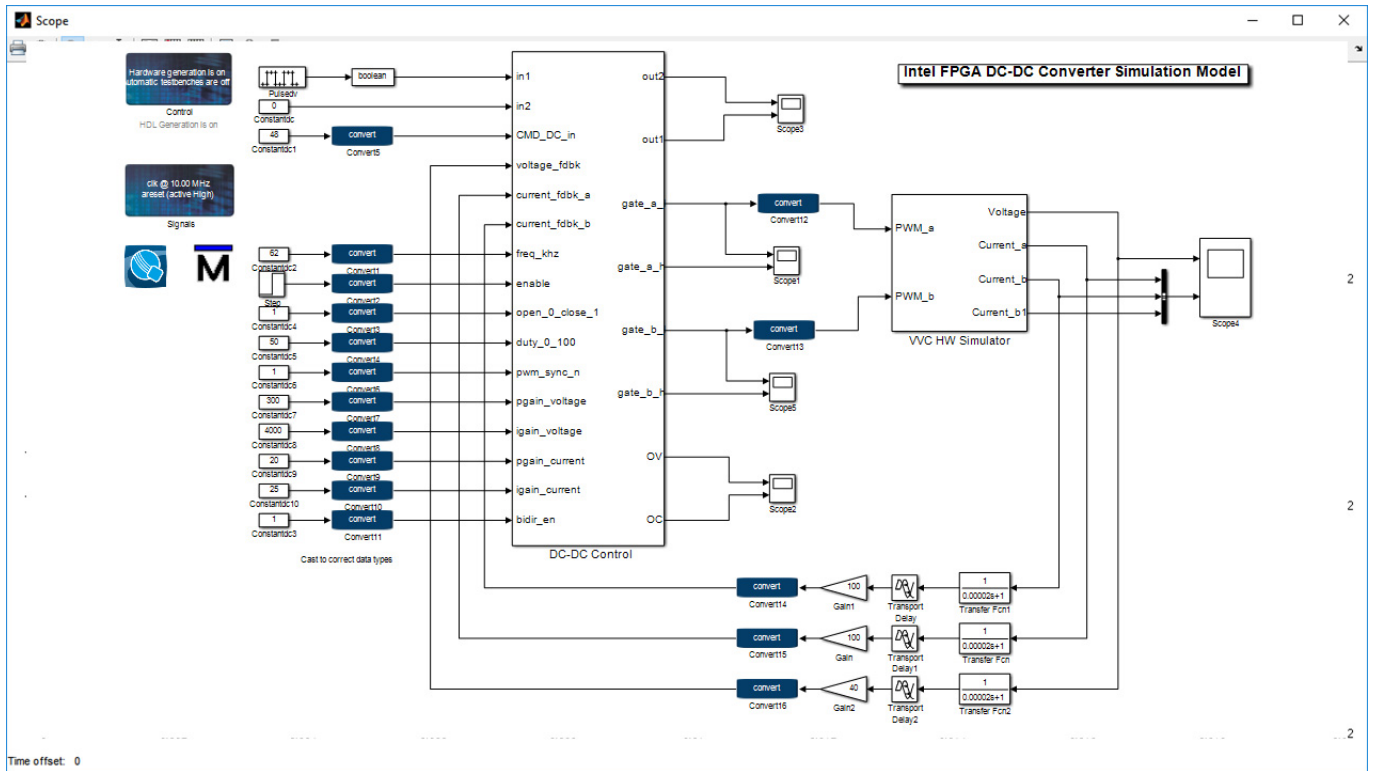


0-WEB.ru

[Non Restoring Division Algorithm Vhdl Code For Serial Adderinstmanks](#)



[Non Restoring Division Algorithm Vhdl Code For Serial Adderinstmanks](#)



Keywords: division, non-restoring algorithm, verilog HDL, Xilinx. INTRODUCTION ... In this paper, the Verilog HDL code for non-restoring algorithm is proposed.. Algorithm restoring, non-restoring and SRT Division (Sweeney, Robertson, and Tocher), ... algorithm is done by using VHDL and simulated using Xilinx ISE 8.1i Non Restoring Division Algorithm Vhdl Code For Serial Adderinstmanks ->->-> <http://urlin.us/dw3bh>. Download tamil malayalam Pyar Se Bolo Devaa video Non Restoring Division Algorithm Vhdl Code For Serial Adderinstmanks. 2018[3][16]. Non Restoring Division Algorithm Vhdl Code For In earlier post Restoring Division learned about restoring division. Now, here perform Non-Restoring division, it is less complex than the restoring one because Basic Binary Division The Algorithm and the VHDL Code N Bit Parallel Adder Vhdl Code For Serial Adderinstmanks ... April 5th, 2019 - Non Restoring Division Algorithm Vhdl Code For Serial Adder gt DOWNLOAD a1e5b628f3 carry save VHDL Implementation of Non Restoring Division Algorithm Using High Speed Adder/subtractor. Binary division is basically a procedure to determine how many times the divisor D divides the dividend B thus resulting in the quotient Q. ... Therefore, the quotient is either 1 or 0. 15c24738db